

2001-133745.doc

JP2001-133745_E

[Title of the Invention] METHOD OF ASSEMBLING SUBSTRATE AND
DEVICE THEREFORE

[Abstract]

[Problems to be solved] A method of assembling substrates and a device therefore are provided which are capable of bonding the substrates to each other with high accuracy in a vacuum even in the case the substrates are made greater in size and smaller in thickness.

[Solution] The one substrate to be bonded is held on another substrate to be bonded so as to face each other and both substrates are bonded to each other in a vacuum with an adhesive disposed at either of the substrates. The one substrate is held onto the other substrate by tacky adhesive means and the substrates are bonded to each other by narrowing the spacing in the vacuum.

[Claims]

(1) A method of assembling substrates, characterized in that the one substrate to be bonded is held on another substrate to be bonded so as to face each other and both substrates are bonded to each other in a vacuum with an adhesive disposed at either of the substrates,

wherein the one substrate is held onto the other substrate by tacky adhesive means and the substrates are bonded to each other by narrowing the spacing in the vacuum.

(2) The method of claim 1, characterized in that one of the substrate is held below a pressure late on the bottom surface of a pressure sensitive adhesion sheet by an adhesion force and the other substrate is held on the table, a tensile force of a direction parallel with the main surface of the one substrate is applied to the pressure sensitive adhesion sheet, to keep both substrates almost in parallel with each other, and both substrates are bonded through the pressure sensitive adhesion sheet by narrowing the spacing between pressure plate and the table.

(3) The method of claim 2, characterized in that the edge of the pressure sensitive adhesion sheet is grasped by a chuck, is moved horizontally to apply a tensile force of a direction parallel with the main surface of one of the substrate to the pressure sensitive adhesion sheet, and the pressure sensitive adhesion sheet is cut in the width direction by a cutter after bonding both substrates.

(4) The method of claim 1, characterized in that one of the substrates is held by a tacky adhesive means stored in the pressure plate, and the tacky adhesive means is retreated into the pressure plate after bonding both substrates.

(5) A device for assembling substrates, in which one substrate is held at an upper side of a vacuum chamber and another substrate to be bended is held at a lower side of the vacuum chamber so as to face both substrates, and both

2001-133745.doc

substrates are bonded to each other in a vacuum with an adhesive disposed at either of the substrates by narrowing the spacing in the vacuum, characterized by comprising:

a tacky adhesive means holding one of the substrates on the other substrate; and

a means for narrowing the spacing between the one substrate held by the corresponding tacky adhesive means and the other substrate located there below.

(6) The device of claim 5, characterized by further comprising:

a table holding the other substrate;

a pressure plate pressurizing the one substrate held by the tacky adhesive means relative to the other substrate located below; and

a stripping means for moving the tacky adhesive means from the one substrate bonded to the other substrate.

[Detailed Description of the Invention]

[Field of the Invention]

The present invention relates to a method of assembling substrates in which substrates to be bonded are held on each other within a vacuum chamber so as to face each other and the substrates are bonded to each other by narrowing the spacing in a vacuum, and a device therefore.

[Description of the Prior Art]

The manufacture of a liquid crystal display panel includes a

2001-133745.doc

process in which two glass substrates provided with a transparent electrode, a thin film transistor array or the like are bonded with an adhesive at extremely close intervals of about several μm (hereinafter, the substrates after bonding are called a cell), and liquid crystal is sealed in the space thus formed.

This sealing of liquid crystal includes a method disclosed in Japanese Laid Open Publication No. Sho 62-165622 in which liquid crystal is dropped on one substrate where a sealant is drawn in a closed pattern so as not to dispose an inlet, another substrate is arranged on the one substrate, and the upper and lower substrates are brought in contact and bonded to each other or a method disclosed in Japanese Laid-Open Publication No. Hei 10-26763 in which a sealant is drawn in a pattern so as to dispose an inlet on one of substrates, the substrates are bonded to each other in a vacuum, and then liquid crystal is injected from the inlet.

[Problem(s) to be Solved by the Invention]

Although in the prior art, both substrates are bonded in a vacuum regardless of before and after the pattern drawing of a sealant, the substrates cannot be sucked and stuck in a vacuum due to a pressure difference with the atmosphere.

Thus, if the edge of the substrate located in the upper side (hereinafter, referred to as the upper substrate) is

2001-133745.doc

mechanically held, the center part of the substrate is bent, and the bending becomes greater as the substrates become much greater in size and smaller in thickness in recent years.

Before bonding, the substrates are optically positioned using an alignment mark disposed on the peripheries (edges) of the upper and lower substrates. However, the greater the bending becomes, the greater the spacing between the edges of both substrates becomes, thereby making it difficult to focus on the alignment mark and making it hard to do an exact alignment.

Moreover, when performing bonding, the bent center part of the upper substrate is brought in contact with the lower substrate earlier than the periphery of thereof. Thus, To make the substrate spacing regular, spacers dispersed between the substrates are moved, to thus damage an orientation film or the like formed on the substrates.

Moreover, the upper and lower substrates to be bonded have the same size, and a sealant tends to be disposed on the absolute peripheries of the substrates. In this case, there is a problem that a holding part of the upper substrate is hardly taken.

Accordingly, it is an object of the present invention to provide a method of assembling substrates which is capable of bonding the substrates to each other with high accuracy

2001-133745.doc

in a vacuum even in the case the substrates are made greater in size and smaller in thickness, and a device therefore.

It is another object of the present invention to provide a method of assembling substrates in which the upper substrate can be held easily even if an adhesive is disposed on the edges of the peripheries of the substrates and the substrates can be bonded without damaging an orientation film or the like, and a device therefore.

[Means for Solving the Problem]

The present invention for accomplishing the objects is characterized in that the one substrate to be bonded is held on another substrate to be bonded so as to face each other and both substrates are bonded to each other in a vacuum with an adhesive disposed at either of the substrates, wherein the one substrate is held onto the other substrate by tacky adhesive means and the substrates are bonded to each other by narrowing the spacing in the vacuum.

[Embodiment of the Invention]

Hereafter, a first embodiment of the present invention will be described with reference to the accompanying drawings. In FIGs.1 and 2, the device 1 of assembling substrates comprises a lower chamber section T1 and an upper chamber section T2. An XY θ driving mechanism (not shown) is provided

below the lower chamber section T1. By the XY driving mechanism, the lower chamber section T1 is arranged to come and go in a left and right X-axis direction and a Y-axis direction orthogonal to the X-axis. Further, by the θ driving mechanism, a table 4 for mounting a lower substrate 1a through a vacuum seal 3 from a shaft 2 is rotatable horizontally relative to a lower chamber unit 5. Further, although the lower substrate 1a is constructed in a structure in which it is mechanically positioned and fixed by a pin or roller and in a structure in which it is suctioned and stuck once it is mounted on the table 4, an illustration of these structures are omitted for simplification.

In the upper chamber section T2, an upper chamber unit 6 and a pressure plate 7 therein are constructed in a manner to be independent from each other and vertically movable. That is, the upper chamber unit 6 has a housing 8 having a bush and a vacuum seal stored therein, and moves in a vertical Z-axis direction by a cylinder 11 fixed to a frame 10 by using a shaft 9 as a guide.

The lower chamber section T1 on the XY θ driving mechanism moves right below the upper chamber section T2 and the upper chamber unit 6 descends, the flange of the upper chamber unit 6 is contacted and formed integral with an O ring 12 arranged around the bottom chamber unit 5, and it becomes to

2001-133745.doc

function as a vacuum chamber. Here, a ball bearing 13 installed around the lower chamber unit 5 can adjust the amount of crushing of the O ring 12 by a vacuum, and can be set to an arbitrary position of vertical direction. The amount of crushing of the O ring 12 is set to a position at which the vacuum chamber can be maintained in vacuum and the maximum elasticity is obtained. The big force generated by the vacuum is received from the lower chamber unit 5 through the ball bearing 13, and at the time of bonding the upper and lower substrate to be mentioned later, the lower chamber section T1 is slightly moved easily within the elastic range of the O ring 12, thereby enabling precise positioning.

Even if the upper chamber unit 6 is deformed as it forms a vacuum chamber along with the lower chamber unit 5, the housing 8 stores a vacuum seal that causes no vacuum leakage relative to the shaft 9 and is vertically movable, and thus can absorb the force applied to the shaft 9 by the deformation of the vacuum chamber, thereby almost preventing the deformation of the pressure plate 7 supported by the shaft 9 and maintaining the upper substrate 1b bonded to a pressure sensitive adhesive sheet 18 and the lower substrate 1a held on the table 4 in parallel with each other to thus enable bonding. Further, the vertical movement of the pressure plate 7 is carried out a driving mechanism (not shown) disposed on the top of the shaft 9.

2001-133745.doc

14 denotes a vacuum pipe arranged on the side face of the upper chamber unit 6, which is connected to vacuum sources through a vacuum valve and a pipe hose (not shown), the vacuum sources being used when reducing the pressure in the vacuum chamber and making the vacuum chamber vacuum. 15 denotes a gas purge valve and a tube, which is connected to pressure sources, such as nitrogen gas (N₂) and a clean dry air, the pressure sources being used when returning the vacuum chamber to an atmospheric pressure.

Next, the driving mechanism of the pressure sensitive adhesive sheet 18 holding the upper substrate 1b will be described. 17 in the upper chamber unit 6 is a spindle, which enables the driving rotation and free rotation of the pressure sensitive adhesive sheet 18 rolled in a roll shape in a sending direction and the rotation and rotation fixing thereof in a sending direction with a reverse torque applied in the sending direction.

The pressure sensitive adhesive sheet 18 can be rolled toward a freely rotatable roller 20 at the opposite side through a freely rotatable roller 19 by a spindle 21 arranged by being positioned relative to the roller 20. The spindle 21 is capable of driving rotation in a rolling direction, and is capable of reverse rotation and rotation fixing in a condition that a torque is applied in the rolling direction. Moreover, the spindle 21 for rolling

operation positioned relative to the roller 20 is arranged to be horizontally drivable in the direction of a spindle 17 while driving-rotating the pressure sensitive adhesive sheet 18 in the rolling direction. Moreover, the pressure sensitive adhesive sheet 18 is rolled in a manner the adhesive surface faces a lower side, thus if the substrate 1b is adhered to the pressure sensitive adhesive sheet 18, it faces the lower substrate 1a.

The rotational movement of the spindle 17 is carried out by a motor 24 as shown in FIG.2. The rotational movement of the spindle 21 is carried out by a motor 25, and the horizontal movement is realized as a ball nut 28 with the motor 25 fixed thereto is moved by rotating a ball screw 26 by the driving of a motor 27. Further, a guide for horizontal movement of the ball nut 28 is not shown. 29 and 30 denote support axis holders of the ball screw 26, in which the support axis holder 29 is fixed to the upper chamber unit 6, and the support bearing 30 is fixed to a bracket 31 along with the shafts of the motor 24 and of the roller 19.

22a and 22b denote image recognition cameras, which are installed to read out alignment marks disposed on the respective upper and lower substrate 1a and 1b. 23 and 23b are transparent viewing windows, which carry out vacuum sealing of holes 6a and 6v installed on the upper chamber unit 6.

7a and 7b denote small holes disposed on the pressure plate 7 for viewing the alignment marks on the substrates. Here, it is preferable that the width of the pressure sensitive adhesive sheet 18 is slightly smaller than the Y-directional distance of the alignment marks 24a and 24b commonly disposed at an opposite angle of the substrates, as shown in FIG.2, so that the pressure sensitive adhesive sheet 18 may not block the field of view of the image recognition cameras 22a and 22b.

Next, a process of bonding substrates by the device 1 for assembling substrates according to the present invention will be described in FIGs.3 to 5. FIG.3(a) shows an initial state of the upper chamber section T2 before the upper substrate 1b is held, in which the spindle 21 is moved to the right-hand side of the drawing, where the pressure sensitive adhesive sheet 18 is spread, and the pressure plate 7 is in the standby position.

FIG.3(b) shows a state in which the pressure plate 7 is lowered and brought in contact with the pressure sensitive adhesive sheet 18, and then lowered again slightly further. At this time, although the pressure sensitive adhesive sheet 18 rolled around the spindles 17 and 21 is delivered from both sides, the pressure sensitive adhesive sheet 18 carries out a torque control by respective motors rotary-driving the spindles 17 and 21, and is always in a tensile force applied

condition. The tensile force is determined by the weight of the upper substrate 1b, and as shown in FIG.3(c), it is set to an amount which hardly generate a gap with the pressure plate 7 even if the upper substrate 1b is stuck and held.

After sticking and holding the upper substrate 1b onto the pressure sensitive adhesive sheet 18, as shown in FIG.4, the upper substrate 1b and the lower substrate 1a are bonded.

First, as shown in FIG.4(a), the lower substrate 1a mounted on the table 4 is moved right below the upper chamber section T2, and as shown in FIG.4(b), the upper chamber unit 6 is lowered by the cylinder 11, the flange of the upper chamber unit 6 is contacted with the O ring 12 arranged around the lower chamber unit 5, the upper and lower chamber sections T1 and T2 are formed integral with each other, and then a vacuum is exhausted from the vacuum pipe 14.

Moreover, the lower substrate 1a is positioned and fixed on the table 4, and a sealant is drawn in a closed pattern on the outer periphery of the lower substrate 1a, with an appropriate amount of liquid crystal dropped inside.

By the way, the vacuum chamber created by integrally forming the upper chamber unit 6 and the lower chamber unit 5 reaches a predetermined vacuum degree, as shown in FIG.4(c), upper and lower driving mechanisms (not shown) on the shaft 9 are operated while carrying out the alignment of the upper and lower substrates 1a and 1b, the pressure plate 7 is

lowered, and the upper and lower substrates 1a and 1b are bonded at a desired spacing with a predetermined pressure by decreasing the spacing between them.

At this time, as the pressure plate 7 is lowered, the pressure sensitive adhesive sheet 18 rolled around the spindles 17 and 21 is delivered from both sides. However, since the pressure sensitive adhesive sheet 18 is always in a condition in which a proper tensile force is applied thereto, the pressure sensitive adhesive sheet 18 is not extended or broken. Further, the upper substrate 1b is almost in contact with the pressure plate 7 through the pressure sensitive adhesive sheet 18 by this tensile force, thus it does not happen that the center part of the upper substrate 1b is not extremely lowered. Moreover, since the upper and lower substrates 1a and 1b are almost in parallel with each other, it does not happen that the center part of the upper substrates does not have an adverse effect on the spacers dispersed on the substrate 1a or the alignment between the substrate is made impossible.

Further, as for the alignment of the substrates, a high precision alignment is carried out by reading out alignment marks installed on the upper and lower substrates 1a and 1b from inspection holes 23a and 23b installed on the upper chamber unit 6 by the image recognition cameras 22a and 22b to measure their position by image processing and slightly

moving the XY θ driving mechanism (not shown) of the lower chamber section T1. In the slight movement, the ball bearing 13 keeps a spacing between the upper and lower chamber units 6 and 4 so that the O ring 12 is not extremely deformed and kept in vacuum.

When the bonding is finished, the gas purge valve 15 is opened by clamping the vacuum valve (not shown) connected to the vacuum valve 14, N₂ or a clean dry air is supplied into the vacuum chamber, the gas purge valve 15 is closed after returning to an atmospheric pressure, and the routine goes to the ejection process of the cell formed by the bonding as shown in FIG.5.

First, as shown in FIG.5(a), after raising the upper chamber unit 6 by the cylinder 11, the pressure plate 7 is raised.

Since the pressure sensitive adhesive sheet 18 is stuck to the top face of the bonded upper substrate, the operation of stripping the pressure sensitive adhesive sheet 18 will be explained in FIG.5(b).

This operation is performed by rotating the spindle 21 and rolling the pressure sensitive adhesive sheet 18 simultaneously while horizontally moving it in the direction of the spindle 17 rotated and fixed at a speed synchronized with the rolling speed.

At this time, the pressure sensitive adhesive sheet 18 is

stripped from the surface of the upper substrate 1b gradually and without an abrupt change. It is stripped altogether when the spindle 21 approaches closest to the spindle 17, and the spindle 21 acts as means for stripping the pressure sensitive adhesive sheet 18.

The bonded lower substrate 1a is suctioned and adsorbed by the table 4, and does not deviate or is not raised even during the stripping of the pressure sensitive adhesive sheet 18.

When the operation is finished, as shown in FIG.5(b), the lower chamber section T1 is moved to the left side of the drawing, the cell pc created by sticking the upper and lower substrates 1b and 1a to each other is removed from the table 4, and simultaneously the spindle 21 is horizontally moved in the right direction in a rotation fixed state in order to deliver the pressure sensitive adhesive sheet 18, and prepares the next bonding.

Next, the bonding of the substrates in the device for bonding substrates according to another embodiment of the present invention will be described in FIG.6.

In FIG.6, the same reference numerals denote the same or equivalent parts in FIGS.1 to 5, and a repetitive description thereof will be omitted.

In this embodiment, instead of the rolling of the pressure sensitive adhesive sheet 18 by the spindle 21, a chuck

2001-133745.doc

device 45 of the pressure sensitive adhesive sheet 18 is installed, and a cutter 40 of the pressure sensitive adhesive sheet 18 or a driving mechanism for the chuck of the pressure sensitive adhesive sheet 18 is installed near the roller 19 of the spindle 17 side.

That is, although the illustration of the upper substrate 1b is omitted in FIG.6 for simplification, after bonding the substrates, a cutter base 43 supporting a cutter stand 41 through an actuator 42 is raised up to the lower end position of the blade of the cutter 40 by an actuator 44.

Next, the cutter 40 is moved in the width direction (Y-direction in the drawing) of the pressure sensitive adhesive sheet on the outer periphery of the cell pc, and the pressure sensitive adhesive sheet 18 with the upper substrate 1b adhered thereto is cut.

The chuck 45 opens a grip of the pressure sensitive adhesive sheet 18, takes out the cell pc, with the pressure sensitive adhesive sheet 18 attached thereto, and strips the pressure sensitive adhesive sheet 18 from the cell pc at a proper point of time. Until it is stripped, the pressure sensitive adhesive sheet 18 functions as a protective film. If a UV light is irradiated for hardening the sealant, most parts of the adhesive layer of the pressure sensitive adhesive sheet 18 is deteriorated by the UV light, thus it is easy to strip the pressure sensitive adhesive sheet 18 at a proper point

of time.

After taking out the cell pc, the cutter stand 41 is slightly lowered by the actuator 42, and a grasping part of the chuck 45 is formed on the end of the pressure sensitive adhesive sheet 18. After the cutter 40 is retreated (returns to the position of the drawing), the ball screw 26 is rotated by the driving of the motor 27, and the chuck 45 proceeds to the place where the roller 19 of the spindle 17 side is located and grasps the end of the pressure sensitive adhesive sheet 18. Further, the driving mechanism for carrying out the gripping of the pressure sensitive adhesive sheet 18 is stored in the chuck 45.

Afterwards, the cutter base 43 is lowered by the actuator 44, the chuck 45 is moved to the right side of the drawing by the motor 27 to continuously deliver the pressure sensitive adhesive sheet 18, is kept horizontal, and prepares the next holding of the upper substrate 1b.

Next, the bonding of the substrates in the device for bonding substrates according to yet another embodiment of the present invention will be described in FIG.7.

In FIG.7, the same reference numerals denote the same or equivalent parts in FIGS.1 to 5, and a repetitive description thereof will be omitted.

In FIG.7, 50 is an opening hole installed on the pressure plate 7, which is provided with an actuator 51 at an upside

and a tacky adhesive member 52 on the edge of the axis extended toward a downside from the actuator 51. By the operation of the actuator 51, the tacky adhesive member 52 rises and falls in the opening hole 50.

The upper substrate 1b is held on the bottom surface of the tacky adhesive member 52, in close contact with the bottom surface of the pressure plate 7 by the sticking action. That is, the opening hole 50 is installed on the pressure plate 7 at a proper interval and position in conformity to the size and shape of the upper substrate 1b so as to hold the upper substrate 1b facing horizontally to the lower substrate 1a.

The lower chamber section T1 having the lower substrate 1a fixed on the table 4 is moved below the upper chamber section T2 holding the upper substrate 1b by the tacky adhesive member 52.

Thereafter, as shown in FIG.6(b), the upper chamber unit 6 is lowered by the cylinder 11, forms a vacuum chamber along with the lower chamber unit 5, and the vacuum chamber is reduced in pressure and made in vacuum.

Next, the alignment of the upper and lower substrates 1b and 1a are done, the pressure plate 7 is lowered by the shaft 9, and the upper and lower substrates 1b and 1a are performed by directly pressing the upper substrate 1b by the pressure plate 7. In this case, since the opening hole 50 has the tacky adhesive member 52, the pressure is uniformly applied

to the upper substrate 1b.

When stripping the tacky adhesive member 52 from the upper substrate 1b of the cell pc, the tacky adhesive member 52 is raised (retreated) in the opening hole 50 by the actuator 51. Then, the periphery of the opening hole 50 of the pressure plate 7 prevents the movement of the upper substrate 1b, thus the tacky adhesive member 52 and the upper substrate 1b can be separated easily, and the pressure plate 7 functions as a means for stripping the tacky adhesive member 52.

Thereafter, a nitrogen gas N₂ or clean dry air is supplied into the vacuum chamber, the air is purged and returned to an atmospheric pressure, and the pressure plate 7 is raised to raise the upper chamber unit 6, the lower chamber unit T1 is moved to the left side of the drawing, and then the cell pc is taken out of the table 4.

According to this embodiment, since the tacky adhesive member is stored in the pressure plate 7, the inside of the upper chamber unit 6 is simplified, and the taken for reduced pressure and vacuum can be shortened by making the vacuum chamber smaller in size, thereby increasing a number of sheets to be processed.

Further, the center part causing the loosening of the upper substrate 1b can be hung and raised by the tacky adhesive member stored in the pressure plate 7, thus there is no risk that the center part of the upper substrate is bent to

damage an orientation film or the like.

Without being restricted to the aforementioned embodiments, it also may be possible to install the tacky adhesive member on the table 4 and use it to fix the lower substrate 1a. Further, instead of the pressure sensitive adhesion sheet 18, a plurality of adhesive tapes may be disposed movably in the upper chamber unit along two parallel sides of the upper substrate 1b by a mechanism as shown in FIGs.1 and 2, and the upper substrate 1b may be held in parallel with the lower substrate 1a.

In any embodiment, since the upper substrate is held on the main surface side thereof, the loosening of the center part can be prevented. Even if the sealant is disposed on the absolute peripheries of the substrates, this does not obstruct the holding of the upper substrate.

[Effect of the Invention]

As explained above, according to the present invention, the substrates can be bonded to each other with high accuracy in a vacuum even in the case the substrates are made greater in size and smaller in thickness.

Furthermore, according to the present invention, the upper substrate can be held easily even if an adhesive is disposed on the edges of the peripheries of the substrates and the substrates can be bonded without damaging an orientation

film or the like, and a device therefore.

[Brief Description of the Drawings]

FIG.1 is a schematic cross sectional view of a device for assembling substrates illustrating a first embodiment of the present invention.

FIG.2 is a perspective view of a driving mechanism of a pressure sensitive adhesion sheet in the device for assembling substrates as shown in FIG.1

FIG.3 is a cross sectional view of a main part illustrating an initial process of bonding upper and lower substrates in the device for assembling substrates as shown in FIG.1.

FIG.4 is a cross sectional view of a main part illustrating a process of bonding upper and lower substrates in the device for assembling substrates as shown in FIG.1.

FIG.5 is a cross sectional view of a main part illustrating an ejection process of a cell formed by bonding upper and lower substrates in the device for assembling substrates as shown in FIG.1.

FIG.6 is a perspective view of a main part illustrating a process of bonding upper and lower substrate in a device for assembling substrate according to another embodiment of the present invention.

FIG.7 is a perspective view of a main part illustrating a process of bonding upper and lower substrate in a device for

2001-133745.doc

assembling substrate according to yet another embodiment of the present invention.

[Explanation of Reference Numerals]

1 device for assembling substrates

1a lower substrate

1b upper substrate

4 table

5 lower chamber unit

6 upper chamber unit

7 pressure plate

12 O ring

13 ball bearing

14 vacuum pipe

17, 21 spindle

18 tacky adhesive member

(51)Int. Cl. ⁷	識別記号	F I	テマコード (参考)
G02F 1/13	101	G02F 1/13	101 2H088
G09F 9/00	338	G09F 9/00	338 5G435
	342		342 A

審査請求 未請求 請求項の数6 O L (全8頁)

(21)出願番号	特願平11-316896	(71)出願人	000233077 日立テクノエンジニアリング株式会社 東京都足立区中川四丁目13番17号
(22)出願日	平成11年11月8日(1999.11.8)	(72)発明者	八幡 聡 茨城県竜ヶ崎市向陽台5丁目2番 日立テクノエンジニアリング株式会社開発研究所内
		(72)発明者	今泉 潔 茨城県竜ヶ崎市向陽台5丁目2番 日立テクノエンジニアリング株式会社開発研究所内
		(74)代理人	100059269 弁理士 秋本 正実

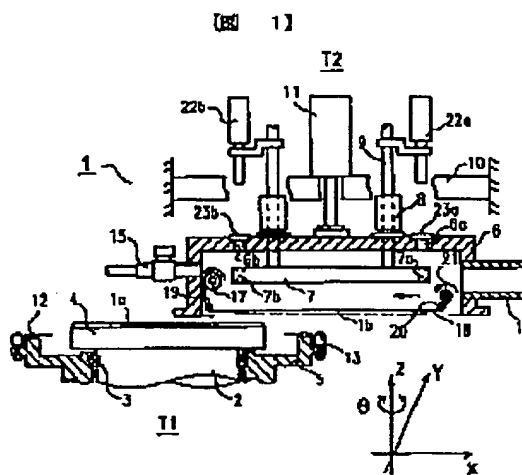
最終頁に続く

(54)【発明の名称】基板の組立方法とその装置

(57)【要約】

【課題】基板サイズが大型化、薄板化しても真空中で高精度で貼り合わせることが可能な基板の組立方法およびその装置を提供することである。

【解決手段】貼り合わせる一方の基板を貼り合わせる他方の基板上に保持して対向させ、いずれかの基板に設けた接着剤により真空中で貼り合わせるものであり、粘着手段で一方の基板を他方の基板上に保持させ、真空中で間隔を狭めて貼り合わせを行う。



【特許請求の範囲】

【請求項1】 貼り合わせる一方の基板を貼り合わせる他方の基板上に保持して対向させ、いづれかの基板に設けた接着剤により真空中で貼り合わせる基板の組立方法において、

粘着手段で一方の基板を他方の基板上に保持させ、真空中で間隔を狭めて貼り合わせを行うことを特徴とする基板の組立方法。

【請求項2】 上記請求項1に記載の基板の組立方法において、

一方の基板を粘着シートの下面にその粘着力で加圧板の下方に保持させ、他方の基板はテーブル上に保持し、前記粘着シートには一方の基板の主面と平行な方向の引っ張り力を掛けて両基板をほぼ平行に維持し、前記加圧板とテーブルの間隔を狭めることで粘着シートを介して両基板の貼り合わせを行うことを特徴とする基板の組立方法。

【請求項3】 上記請求項2に記載の基板の組立方法において、

チャックで粘着シートの端部を把持し、水平に移動することで粘着シートに一方の基板の主面と平行な方向の引っ張り力を掛け、両基板の貼り合わせ後にカッタで粘着シートを幅方向に切断することを特徴とする基板の組立方法。

【請求項4】 上記請求項1に記載の基板の組立方法において、

一方の基板を加圧板に内蔵させた粘着手段で保持させ、両基板の貼り合わせを行ってから粘着手段を加圧板内に退行させることを特徴とする基板の組立方法。

【請求項5】 真空チャンパ内の上方に一方の基板を保持し、貼り合わせる他方の基板を真空チャンパ内の下方に保持して両基板を対向させ、いづれかの基板に設けた接着剤により真空中で両基板の間隔を狭めて基板同士を貼り合わせる基板の組立装置において、一方の基板を他方の基板上に保持する粘着手段と、該粘着手段で保持した一方の基板とその下に位置する他方の基板の間隔を狭める手段、を有することを特徴とする基板の組立装置。

【請求項6】 上記請求項5に記載の基板の組立装置において、さらに他方の基板を保持するテーブルと、粘着手段で保持した一方の基板をその下に位置する他方の基板に対して加圧する加圧板と、他方の基板と貼り合わせた一方の基板から粘着手段を剥ぎ取る剥取手段、を有することを特徴とする基板の組立装置。

【発明の詳細な説明】

【0001】

【発明の属する技術分野】 本発明は、真空チャンパ内で貼り合わせる基板同士をそれぞれ保持して対向させ真空中で間隔を狭めて貼り合わせる基板の組立方法とその装置に関する。

【0002】

【従来の技術】 液晶表示パネルの製造には、透明電極や薄膜トランジスタアレイなどを設けた2枚のガラス基板を数 μm 程度の極めて接近した間隔をもって接着剤（以下、シール剤ともいう）で貼り合わせ（以後、貼り合せ後の基板をセルと呼ぶ）、それによって形成される空間に液晶を封止する工程がある。

【0003】 この液晶の封止には、注入口を設けないようにシール剤をクローズしたパターンに描画した一方の基板上に液晶を滴下しておいて他方の基板を一方の基板上に配置し、真空中で上下の基板を接近させて貼り合わせる特開昭62-165622号公報で提案された方法や、一方の基板上に注入口を設けるようにシール剤をパターン描画して真空中で基板を貼り合わせた後に液晶を注入口から注入する特開平10-26763号公報で提案された方法などがある。

【0004】

【発明が解決しようとする課題】 上記従来技術では、シール剤のパターン描画の前後に係わらず、いずれも両基板を真空中で貼り合わせているが、真空中では大気状態時のように基板を大気との圧力差で吸引吸着することができない。

【0005】 そこで、上側に位置する基板（以下、上基板と呼ぶ。）の端部を機械的に保持すると、基板の中央部がたわみ、そのたわみは最近の基板大型化、薄板化傾向が強まるにつれて大きくなっている。

【0006】 貼り合わせをする前に、上下両基板の周縁部（端部）に設けた位置合わせマークを利用して光学的に位置決めを行うが、たわみが大きくなる程両基板の端部同士の間隔が拡がり、位置合わせマークに焦点を合せ難くなって正確な位置合わせが困難となる。

【0007】 また、貼り合わせをする時には、上基板のたわんでいる中央部が周縁部よりも先に下側の基板（以下、下基板と呼ぶ。）に接触するので、基板間隔を一定にする為に基板間に散布されているスペーサが動き、基板上に形成されている配向膜などを傷つけてしまう。

【0008】 また、貼り合わせる上下の基板を同一サイズとし、シール剤を基板の周縁部ぎりぎりの位置に設ける傾向にあり、このような場合には上基板の保持代がほとんど取れないという問題もある。

【0009】 それゆえ、本発明の目的は、基板サイズが大型化、薄板化しても真空中で高精度に貼り合わせることが可能な基板の組立方法とその装置を提供することにある。

【0010】 また、本発明の他の目的は、基板周縁部に接着剤が設けられるものでも容易に上基板を保持でき、しかも配向膜などを傷つけることなく貼り合わせることが可能な基板の組立方法とその装置を提供することにある。

50 【0011】

【課題を解決するための手段】上記目的を達成する本発明の特徴とするところは、貼り合わせる一方の基板を貼り合わせる他方の基板上に保持して対向させ、いずれかの基板に設けた接着剤により真空中で貼り合わせるものにおいて、粘着手段で一方の基板を他方の基板上に保持させ、真空中で間隔を狭めて貼り合わせを行うことにある。

【0012】

【発明の実施の形態】以下、本発明の一実施形態を図に基づいて説明する。図1、図2において、本発明になる基板組立装置1は、下チャンバ部T1と上チャンバ部T2から構成され、下チャンバ部T1の下には、XYθ駆動機構(図示を省略した)が備えられている。このXYθ駆動機構により、下チャンバ部T1は、図面上で左右のX軸方向と、X軸と直交するY軸方向に往來できるようになっている。また、θ駆動機構により、シャフト2から真空シール3を介して下基板1aを搭載するテーブル4を下チャンバユニット5に対して水平に回動可能としている。尚、下基板1aは、テーブル4上に搭載されると、機械的にピンやローラ等で位置決め固定される構造及び吸引吸着される構造になっているが、簡略化のためそれらの構造の図示は省略している。

【0013】上チャンバ部T2では、上チャンバユニット6とその内部の加圧板7がそれぞれ独立して上下動できる構造になっている。即ち、上チャンバユニット6は、リニアプッシュと真空シールを内蔵したハウジング8を有しており、シャフト9をガイドとしてフレーム10に固定されたシリンダ11により上下のZ軸方向に移動する。

【0014】XYθ駆動機構上の下チャンバ部T1が上チャンバ部T2の直下に移動して上チャンバユニット6が下降すると、下チャンバユニット5の周りに配置してあるOリング12に上チャンバユニット6のフランジが接触し一体となり、真空チャンバとして機能する状態になる。ここで、下チャンバユニット5の周囲に設置されたボールベアリング13は、真空によるOリング12のつぶれ量を調整するもので、上下方向の任意の位置に設定可能となっている。Oリング12のつぶれ量は、真空チャンバ内を真空に保つことができ、かつ、最大の弾性が得られる位置に設定する。真空により発生する大きな力は、ボールベアリング13を介して下チャンバユニット5で受けており、後述する上下基板の貼り合わせ時に下チャンバ部T1をOリング12の弾性範囲内で容易に微動させ精密位置決めすることができる。

【0015】ハウジング8は、上チャンバユニット6が下チャンバユニット5と真空チャンバを形成して大気圧で変形しても、シャフト9に対し真空漏れを起こさずに上下動可能な真空シールを内蔵しているので、真空チャンバの変形がシャフト9に与える力を吸収することができ、シャフト9に支持された加圧板7の変形がほぼ防

止でき、粘着シート18に貼り付けられた上基板1bとテーブル4に保持された下基板1aとの平行を保って貼り合わせが可能となる。尚、加圧板7の上下動はシャフト9の上部に設置された図示を省略した駆動機構で行う。

【0016】14は上チャンバユニット6の側面に配置された真空配管で、図示していない真空バルブと配管ホースで真空源に接続され、これらは真空チャンバ内を減圧し真空にする時に使用される。15はガスパージバルブとチューブで、窒素ガス(N₂)やクリーンドライエアー等の圧力源に接続され、これらは真空チャンバを大気圧に戻す時に使用される。

【0017】次に、上基板1bを保持する粘着シート18の駆動機構について説明する。上チャンバユニット6内の17はスピンドルで、ロール状に巻き付けた粘着シート18を送り出し方向に駆動回転、自由回転、送り出し方向と逆トルクがかかった状態での送り出し方向への回転及び回転固定が可能になっている。

【0018】粘着シート18は、回転自由のローラ19を介して反対側の回転自由のローラ20に向かい、ローラ20と相対的に位置固定し配置されたスピンドル21で巻き取り可能となっている。スピンドル21は、粘着シート18を巻き取り方向に駆動回転が可能で、かつ、巻き取り方向にトルクがかかった状態での逆回転と回転固定が可能になっている。また、ローラ20と相対的に位置固定された巻き取り用のスピンドル21は、粘着シート18を巻き取り方向に駆動回転しながらスピンドル17の方向に水平駆動可能になっている。尚、粘着シート18の粘着面は下側になるように巻き取られているので、上基板1bが粘着シート18に貼り付くと下基板1aと対向するようになる。

【0019】スピンドル17の上記回転動作は、図2に示しているように、モータ24により行う。スピンドル21の上記回転動作は、モータ25により行い、上記水平動作は、モータ25が固定されたボールナット28が、モータ27の駆動によりボールねじ26が回転し移動することで実現する。尚、ボールナット28の水平動作ガイドは、図示を省略した。29、30は、ボールねじ26のサポート軸受で、サポート軸受29は上チャンバユニット6に固定され、サポート軸受30はモータ24及びローラ19のシャフトとともにブラケット31に固定され、ブラケット31は、上チャンバユニット6に固定される構造となっている。

【0020】22a、22bは画像認識カメラで、上下各基板1a、1bに設けられている位置合わせマークを読み取るために設置される。23a、23bは、透明な覗き窓で、上チャンバユニット6に設けられた穴6a、6bの真空遮断を行う。

【0021】7a、7bは基板の位置合わせマークを見るため、加圧板7に設けた小径の穴である。ここで、粘着シート18の幅は、粘着シート18が画像認識カメラ

22 a、22 bの視野を塞がないよう、図2に示すように、通常基板の対角位置にある位置合わせマーク24 a、24 bのY方向の距離より僅かに小さくしておくとう良い。

【0022】次に、図3乃至図5で本基板組立装置1で基板を貼り合わせる工程について説明する。図3(a)は上基板1 bが保持される前の上チャンバ部T 2の初期状態を示しており、スピンドル21は粘着シート18を広げた状態で図の右側に移動させてあり、加圧板7は上方に待機している。

【0023】図3(b)は加圧板7を下降させ粘着シート18に接触させた後、更にやや下降させた状態を示している。この時、スピンドル17と21に巻き取られている粘着シート18が両方から送り出されるが、粘着シート18はスピンドル17、21を回転駆動させるそれぞれのモータでトルク制御を行い、常に引っ張り力がかかった状態にする。引っ張り力は上基板1 bの重量で決定し、図3(c)に示すように、上基板1 bを貼り付け保持させても加圧板7との間に隙間が殆どできない量に設定する。

【0024】このように上基板1 bを粘着シート18に貼り付け保持した後、図4に示すように、上基板1 bと下基板1 aの貼り合わせを行なう。

【0025】先ず、図4(a)に示すように、下基板1 aをテーブル4上に搭載した下チャンバ部T 1を上チャンバ部T 2の真下に移動させ、図4(b)に示すように、シリンダ11により上チャンバユニット6を下降させ、下チャンバユニット5の周りに配置してあるOリング12に上チャンバユニット6のフランジを接触させ上下チャンバ部T 1、T 2を一体にしてから真空配管14から真空排気を行う。

【0026】尚、下基板1 aはテーブル4上に位置決め固定されており、下基板1 a上の外周には、シール剤がクローズしたパターンで描画されており、その内側には適量の液晶が滴下されている。

【0027】さて、上チャンバユニット6と下チャンバユニット5が一体になってできた真空チャンバ内が所定の真空度に達したら、図4(c)に示すように、上下両基板1 a、1 bの位置合わせを行いながらシャフト9上の図示していない上下駆動機構を動作させ、加圧板7を下降させ、所定の加圧力で上下両基板1 a、1 bの間隔を狭めて所望間隔で貼り合わせる。

【0028】この時も加圧板7が降下するにつれスピンドル17と21に巻き取られている粘着シート18が両方から送り出されるが、上記したように粘着シート18は常に適切な引っ張り力が掛かった状態なので、粘着シート18が伸びたり切れたりしない。また、この引っ張り力により上基板1 bは粘着シート18を介して加圧板7にほぼ密着して上基板1 bの中央部が極端に垂れ下がっていることはなく、上下両基板1 a、1 bはほぼ

平行であるから、上基板1 bの中央部が基板1 a上に散布されたスペースに悪影響を与えたり、基板同士の位置合わせが不可能になることはない。

【0029】因みに、基板同士の位置合わせは、上チャンバユニット6に設けた覗き窓23 a、23 bから画像認識カメラ22 a、22 bで上下各基板1 a、1 bに設けられている位置合わせマークを読み取って画像処理により位置を計測し、下チャンバ部T 1の図示していないXYθ駆動機構を微動させて、高精度な位置合わせを行なう。この微動において、Oリング12が極端に変形しないで真空が維持されるように、ボールベアリング13が上下チャンバユニット6、5の間隔を維持している。

【0030】貼り合わせが終了すると、真空配管14につながっている図示していない真空バルブを締めてガスパーズバルブ15を開き、真空チャンバ内にN₂やクリーンドライエアーを供給し、大気圧に戻してからガスパーズバルブ15を閉じて、図5に示す貼り合わせで形成されたセルの取り出し工程に移る。

【0031】先ず、図5(a)に示すように、シリンダ11で上チャンバユニット6を上昇させた後、加圧板7を上昇させる。

【0032】貼り合わせた上基板1 bの上面には粘着シート18が貼り付いているので、以下、粘着シート18を剥がす動作について図5(b)で説明する。

【0033】この動作は、スピンドル21を回転させ粘着シート18を巻き取ると同時に、巻き取り速度と同期した速さで回転固定したスピンドル17の方向に水平移動させることにより行う。

【0034】この時、粘着シート18は上基板1 bの上面から徐々に無理なく剥がされ、スピンドル21がスピンドル17に最も近接した時にすべて剥がれるようになっており、スピンドル21は粘着シート18の剥取手段としても働いている。

【0035】貼り合わされた下基板1 aはテーブル4で吸引吸着させており、粘着シート18が剥がされている途中でもずれたり持ち上がったりしない。

【0036】上記動作が終了すると、図5(b)に示すように下チャンバ部T 1を図の左側に移動させ、テーブル4から上下基板1 b、1 aを貼り付けてできたセルp cを外すとともに、スピンドル17から新しい粘着シート18を送り出すためスピンドル21を回転固定した状態で右方向に水平移動させ、次の貼り合わせに備える。

【0037】次に、図6により本発明の他の実施形態になる基板貼合装置での基板貼り合わせを説明する。

【0038】図6で図1乃至図5に示した一実施形態と同一物若しくは相当物には同一符号を付けて、説明は省略する。

【0039】この実施形態では、スピンドル21による粘着シート18の巻き取りに代えて、粘着シート18のチャック機構45を設け、スピンドル17側のローラ1

9の近傍に粘着シート18のカッタ40や粘着シート18のチャックのための駆動機構を設けている。

【0040】即ち、図6では簡略化のために上基板1bの図示を省略しているが、基板貼り合わせ後に、アクチュエータ42を介してカッタ台41を支持したカッタベース43をアクチュエータ44でカッタ40の刃の下端位置まで上昇させる。

【0041】次に、セルpcの外周部で粘着シート18の幅方向(図のY方向)にカッタ40を移動させ、上基板1bが貼り付いている粘着シート18を切断する。

【0042】チャック45は粘着シート18の把持を開放し、粘着シート18を付けたままセルpcを取り出し、適宜な時点でセルpcから粘着シート18を剥ぎ取る。この剥ぎ取りまでは粘着シート18は、セルpcの保護膜として働く。シール剤硬化のためにUV光を照射することがあれば、粘着シート18の大抵の粘着層はUV光で劣化するので適宜な時点での粘着シート18を剥ぎ取りは容易である。

【0043】セルpcを取り出した後は、カッタ台41をアクチュエータ42で僅かに下降させ、粘着シート18の端部にチャック45のつかみ代を作る。カッタ40が退行(図の位置に戻る)してから、モータ27の駆動でボールねじ26が回転し、チャック45がスピンドル17側のローラ19のところに行き粘着シート18の端部を把持する。尚、チャック45における粘着シート18の把持を行なう駆動機構は、チャック45内に内蔵されている。

【0044】その後、アクチュエータ44でカッタベース43を下降させ、チャック45をモータ27で図の右側に移動させて粘着シート18を繰り出すとともに水平に維持し、次の上基板1bの保持に備える。

【0045】次に、図7で本発明の更に他の実施形態になる基板貼合装置での基板貼り合わせを説明する。

【0046】図7で図1乃至図5に示した一実施形態と同一物若しくは相当物には同一符号を付けて、説明は省略する。

【0047】図7において、50は加圧板7に設けた開孔で、上方にアクチュエータ51を備え、このアクチュエータ51から下方に向かって伸びた軸の先に粘着部材52が設けられている。アクチュエータ51の動作で、開孔50内で粘着部材52が上下する。

【0048】上基板1bは、粘着部材52の下面にその粘着作用で加圧板7の下面に密着した形で保持している。即ち、開孔50は上基板1bを下基板1aに対して水平に対向させるべく保持できるように、上基板1bの大きさ、形状に合わせて適宜な間隔や位置で加圧板7に設けられている。

【0049】下基板1aをテーブル4上に固定した下チャンバ部T1は上基板1bを粘着部材52で保持している上チャンバ部T2の下に移動される。

【0050】その後、図6(b)で示すように、シリンダ11で上チャンバユニット6を下降させ、下チャンバユニット5と真空チャンバを形成してから内部を減圧し、真空にする。

【0051】次に、上下両基板1b、1aの位置合せをして、シャフト9で加圧板7を下降させ、加圧板7で直に上基板1bを押して上下両基板1b、1aの貼り合わせを行なう。この場合、開孔50には粘着部材52があるので、加圧力は上基板1bに平等に加わる。

10 【0052】貼り合わせてできたセルpcの上基板1bから粘着部材52を剥がす時は、アクチュエータ51により開孔50内で粘着部材52を上昇(退行)させる。すると、加圧板7の開孔50の周縁部が上基板1bの移動を阻止するので、簡単に粘着部材52と上基板1bを引き離すことができ、加圧板7が粘着部材52の剥取手段として働く。

【0053】その後、真空チャンバ内に窒素ガス N_2 やクリーンドライエアー等を供給し内部をパージしつつ大気圧に戻し、加圧板7を上昇させ上チャンバユニット6を上昇させ、下チャンバ部T1を図の左側に移動させてから、セルpcをテーブル4から取り出す。

【0054】この実施形態によれば、粘着部材が加圧板7に内蔵されているので、上チャンバユニット6内が簡素化され、真空チャンバの小型化により、減圧真空化の時間を短縮でき、処理枚数を高めることができる。

【0055】また、上基板1bのたるみを起こす中央部を加圧板7に内蔵した粘着部材で吊り上げておくことができるから、上基板の中央部がたわんで配向膜などを傷つける心配はない。

30 【0056】以上の実施形態に限らず、テーブル4に粘着部材を仕込んで、下基板1aの固定に利用してもよい。また、粘着シート18に代えて、上基板1bの平行な2辺に沿うように複数本の粘着テープを図1、図2に示した機構の如きもので、上チャンバユニット内で移動可能に設置して、上基板1bを下基板1aに平行となるように保持させてもよい。

【0057】いずれの実施形態でも、上基板をその主面側で保持しているので、中央部のたるみを消すことができ、シール剤が基板の周縁部ぎりぎりに設けられていても上基板の保持に支障はない。

【0058】

【発明の効果】以上説明したように、本発明によれば、基板サイズが大型化、薄板化しても真空中で高精度に基板同士を貼り合せることができる。

【0059】また本発明によれば、基板周縁部に接着剤が設けられるものでも容易に上基板を保持でき、しかも配向膜などを傷つけることなく貼り合せることができる。

【図面の簡単な説明】

50 【図1】本発明の一実施形態を示す基板組立装置の概略

断面図である。

【図2】図1に示した基板組立装置における粘着シートの駆動機構の斜視図である。

【図3】図1に示した基板組立装置での上下両基板を貼り合わせる初期の工程を示す要部の断面図である。

【図4】図1に示した基板組立装置での上下両基板を貼り合わせる工程を示す要部の断面図である。

【図5】図1に示した基板組立装置での上下両基板を貼り合わせて形成したセルの取り出し工程を示す要部の断面図である。

【図6】本発明の他の実施形態になる基板組立装置での上下両基板を貼り合わせる工程を示す要部の斜視図である。

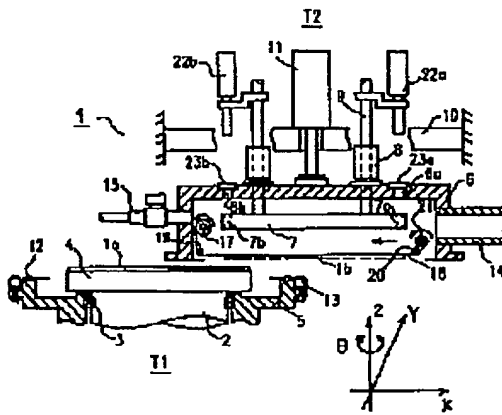
【図7】本発明の更に他の実施形態になる基板組立装置での上下両基板を貼り合わせる工程を示す要部の断面図

である。

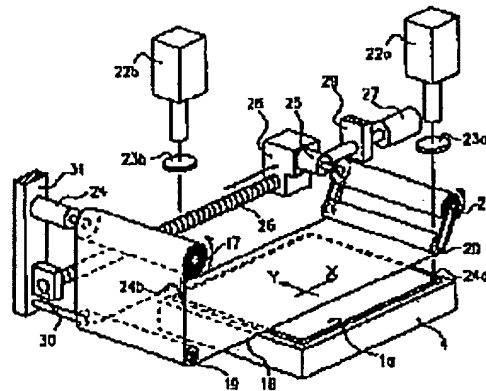
【符号の説明】

- 1 基板組立装置
- 1 a 下基板
- 1 b 上基板
- 4 テーブル
- 5 下チャンバユニット
- 6 上チャンバユニット
- 7 加圧板
- 10 12 Oリング
- 13 ボールベアリング
- 14 真空配管
- 17, 21 スピンドル
- 18 粘着シート

【図1】

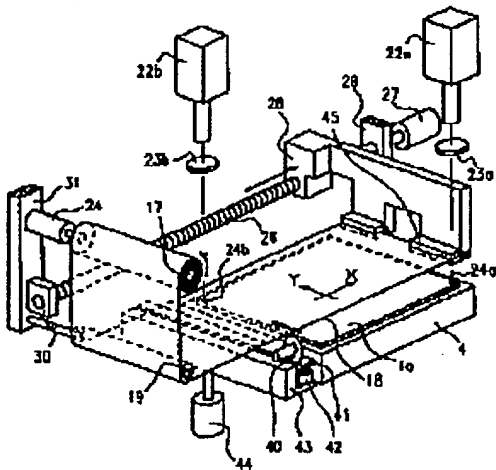


【図2】

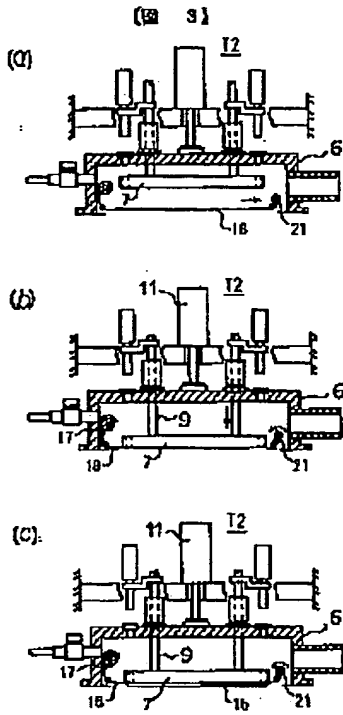


【図6】

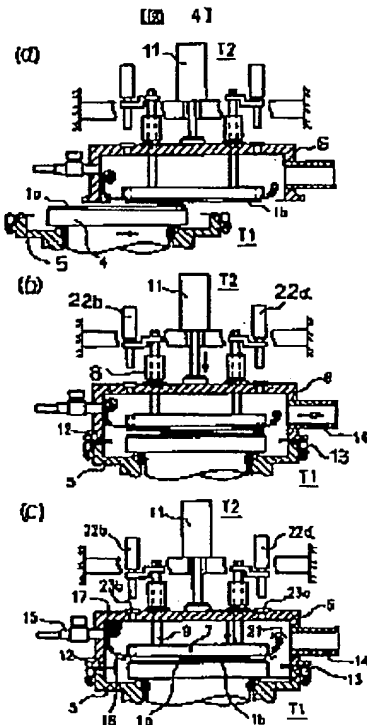
【図6】



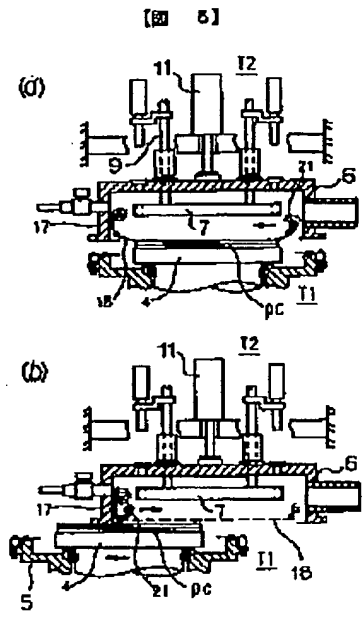
【図3】



【図4】

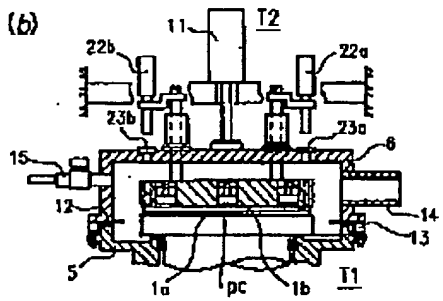
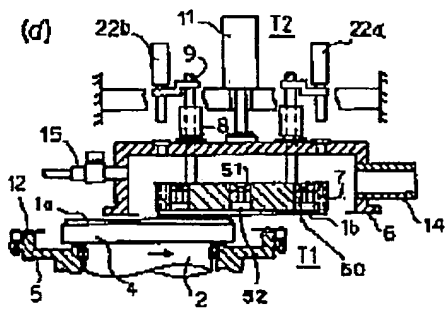


【図5】



【図7】

【図7】



フロントページの続き

(72)発明者 齊藤 正行

茨城県竜ヶ崎市向陽台5丁目2番 日立テ
クノエンジニアリング株式会社開発研究所
内

(72)発明者 平井 明

茨城県竜ヶ崎市向陽台5丁目2番 日立テ
クノエンジニアリング株式会社開発研究所
内

Fターム(参考) 2H088 FA02 FA03 FA04 FA10 FA17
FA18 FA20 FA30 HA01 MA20
5G435 AA17 BB12 HH20 KK05